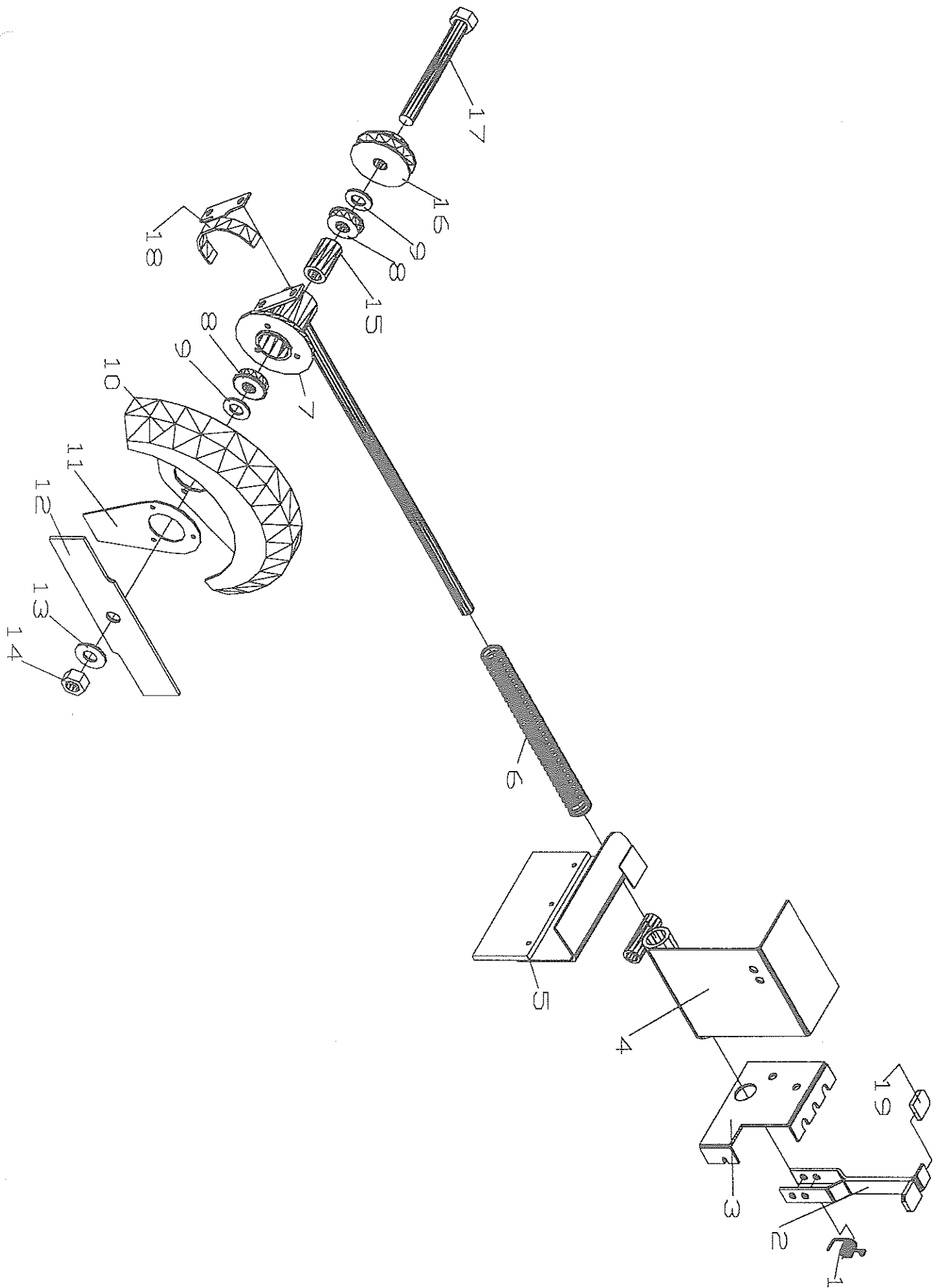


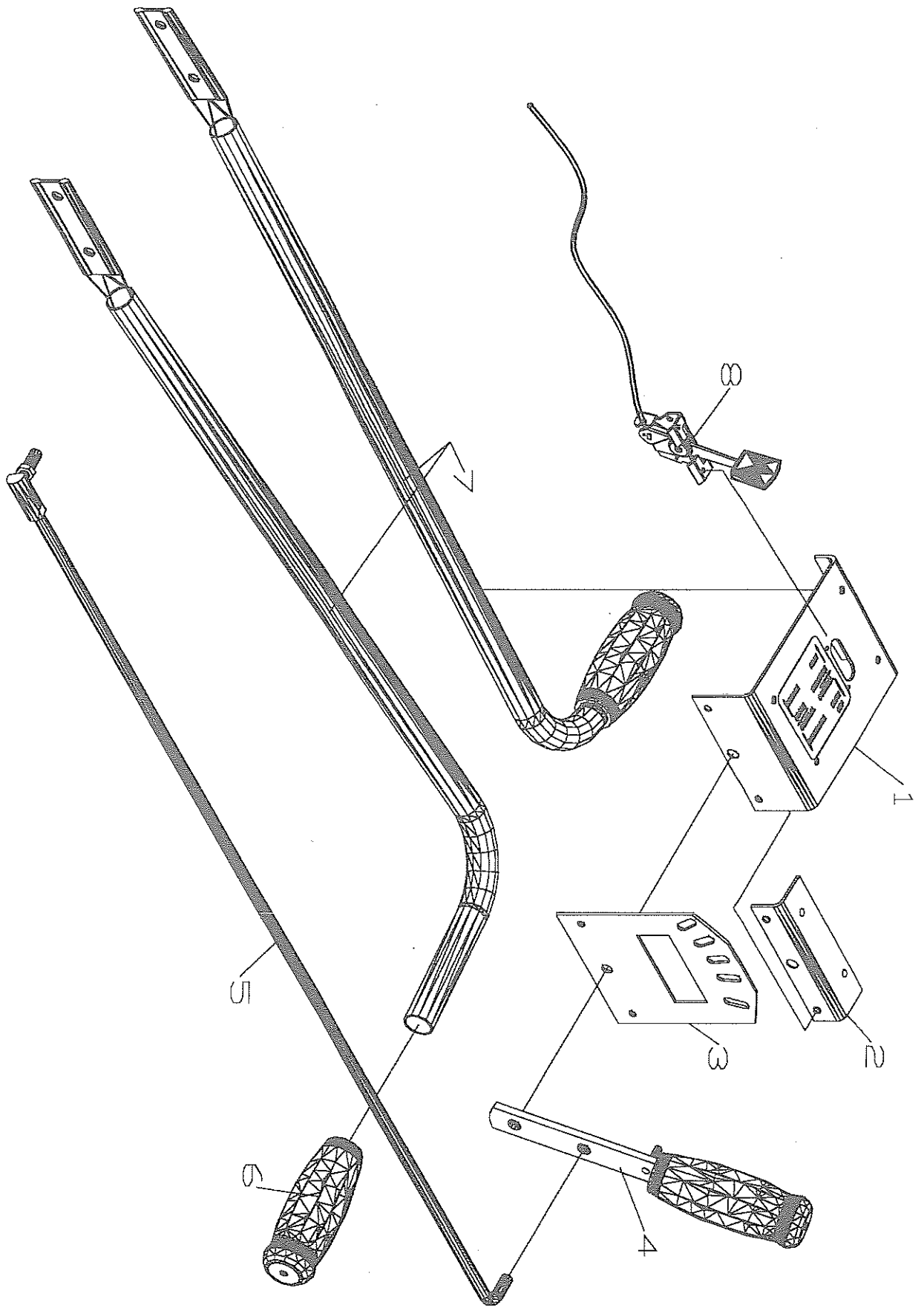
EDGER PART #

1. 132127 BRIGGS 35HP ENGINE
2. 359632 SUPPRT BRACKET
3. 359641 BELT KEEPER, ENGINE
4. 271686 PULLEY 1, 2" X 3/4" C/SHAFT
5. 359645 HANDLE PANEL, LOWER
6. 359739 RH RAIL, CHASSIS BRIGGS MOTOR
7. 359642 MDTOR SUPPRT
8. 359743 LH RAIL, CHASSIS BRIGGS MOTOR
9. 130709 WHEEL, 7" X 1.50" ME3B
10. 130726 WHEEL, 8" X 1.75" ME3BW
11. 359633 FRONT AXLE
12. 313789 CONTROL ROD
13. 359637 HANDLE GRIP
14. 359626 INDEX PLATE BLADE CONTROL
15. 359646 LIFT LEVER
16. 162056 HANDLE BAR
17. 359635 THROTTLE CONTROL
18. 359636 BRACKET PANEL SUPPRT
19. 359617 HANDLE PLATE UPPER
20. 359625 SPRING, TORSION
21. 359643 INDEX LEVER, WLDT
22. 359620 INDEX PLATE
23. 359622 BELT COVER
24. 359616 FLAP DEFECTOR
25. 359621 COMPRESSION SPRING
26. 359629 SPINDLE SUPPRT
27. 359627 BEARING, 5/8"
28. 359619 WASHER, 1.2" X .63 X .12"
29. 359631 BELT GUARD
30. 359630 EDGE FINDER
31. 455051 9" EDGER BLADE
32. 443814 5/8" FLATWASHER
33. 359628 5/8" NF HEX NUT, SAE
34. 271685 SPACER, BEARING SHAFT-CUT
35. 400257 PULLEY 1, 2" X 5/8" B/SHAFT
36. 35940 CAPSCREW, 5/8" X 5" NF5
37. 272216 BELT KEEPER, SPINDLE
38. 46663 BELT, 31" #6-8048
39. BALL JOINT, 3/8"



CUTTERHEAD ASSY.

1. 359617 SPRING, TORISON
2. 359625 INDEX LEVER
3. 359643 INDEX PLATE
4. 359620 BELT COVER
5. 359622 FLIP DEFLECTOR
6. 359616 COMPRESSION SPRING
7. 359621 SPINDLE SUPPORT
8. 359629 BUSHING, 5/8"
9. 359627 WASHER, 1.2" X .63" X .12"
10. 359619 BLADE GUARD
11. 359631 EDGE FINDER
12. 359630 9" BLADE
13. 455051 5/8" FLATWASHER
14. 443814 5/8" NF HEX NUT, SAE
15. 359628 SPACER, BEARING SHAFT
16. 271685 PULLEY, 2 X 5/8" SPINDLEHEAD
17. 400257 CAPSCREW, 5/8" X 5" NF
18. 359640 BELT KEEPER, FOR SPINDLE



HANDLEBAR ASSY.

1. 359636 HANDLE PLATE, UPPER
2. 359635 BRACKET PANEL, SUPPDRT
3. 359637 INDEX PLATE, BLADE CONTROL
4. 359626 LIFT LEVER
5. 359639 CONTRDL RODD
6. 313785 HANDLE GRIP
7. 359646 HANDLEBARS
8. 162056 THROTTLE CONTROL