

1. Regard your edger as a piece of power equipment and teach this regard to all who operate it.
2. Read the owner's manual carefully. Be thoroughly familiar with the controls and proper use of the equipment. Know how to stop the unit and disengage the controls quickly.
3. Never allow children to operate equipment. Never allow adults to operate equipment without proper instruction.
4. Keep the area of operation clear of all persons, especially small children and pets.
5. Exercise caution to avoid slipping or falling.
6. Check the edger to make sure it is in good operating condition.
7. Unless there is very good artificial light, operate only during daylight hours.
8. Do not operate power tools in wet soil, which clogs the cutter and increases your the danger of your falling.
9. Thoroughly inspect the area where the equipment is to be used and remove all the large stones, boards, wires, and other foreign objects.
10. Do not operate machine when barefoot or or wearing open sandals. Wear strong work-type footwear which will improve footing and provide optimum protection. Provide leg protection by means of long, heavy denim trousers and brogues.
11. Check that blade is disengaged before starting engine.
12. Handle fuel with care; it is highly flammable.
 - (A) Use approved fuel container.
 - (B) Never add fuel to running engine or hot engine.
 - (C) Fill fuel tank outdoors with extreme care. Never fill fuel tank while smoking.
 - (D) Replace gasoline cap securely and wipe up spilled fuel.
13. Never attempt to make any adjustment while engine is running, except for carburetor mixture.
14. Allow engine sufficient warm-up period.
15. Give complete undivided attention to the job at hand.
16. Familiarize yourself with the controls. Be sure you know how to stop your machine quickly. Do not start engine until you set machine on ground in area of use.
17. Hold the handle with your left hand while pulling the starter rope with your right. Be sure the machine will not tip or roll during the starting operation.
18. Stay clear of the front of the machine during and after starting. Do not put hands or feet near rotating blade or belt when machine is operating. Once machine is started, stand behind it with hands on handles at all times.
19. After striking foreign object, stop the engine remove wire from spark plug, thoroughly inspect the edger for damage, and repair the damage before restarting and operating the edger.
20. If the unit should start to vibrate abnormally, stop the engine and check immediately for the cause. Vibration is generally a warning of trouble.
21. Stop operation when another person approaches.
22. Stop the engine whenever you leave the operating position.
23. When cleaning, repairing, or inspecting, make certain that blades and all moving parts have stopped. Disconnect spark plug wire and keep wire away from plug to prevent accidental starting.
24. Do not run engine indoors.
25. Never operate edger without guards, plates, or other safety protective device in place.
26. Never allow anyone in front of unit. Disengage blade when someone approaches, when transporting, or when not in use.
27. Keep engine free from accumulations of grass, leaves, or excessive grease. An accumulation of these combustible materials may result in a fire.
28. Store gasoline in a safe container. Store the container in a cool, dry place, not in the house or near heating appliances.
29. Never store machine with fuel in the fuel tank inside a building where flame or spark are present. Allow engine to cool before storing in any enclosure.
30. Always wear safety goggles or other eye protection when operating.
31. Always keep away from muffler when engine is running or hot.

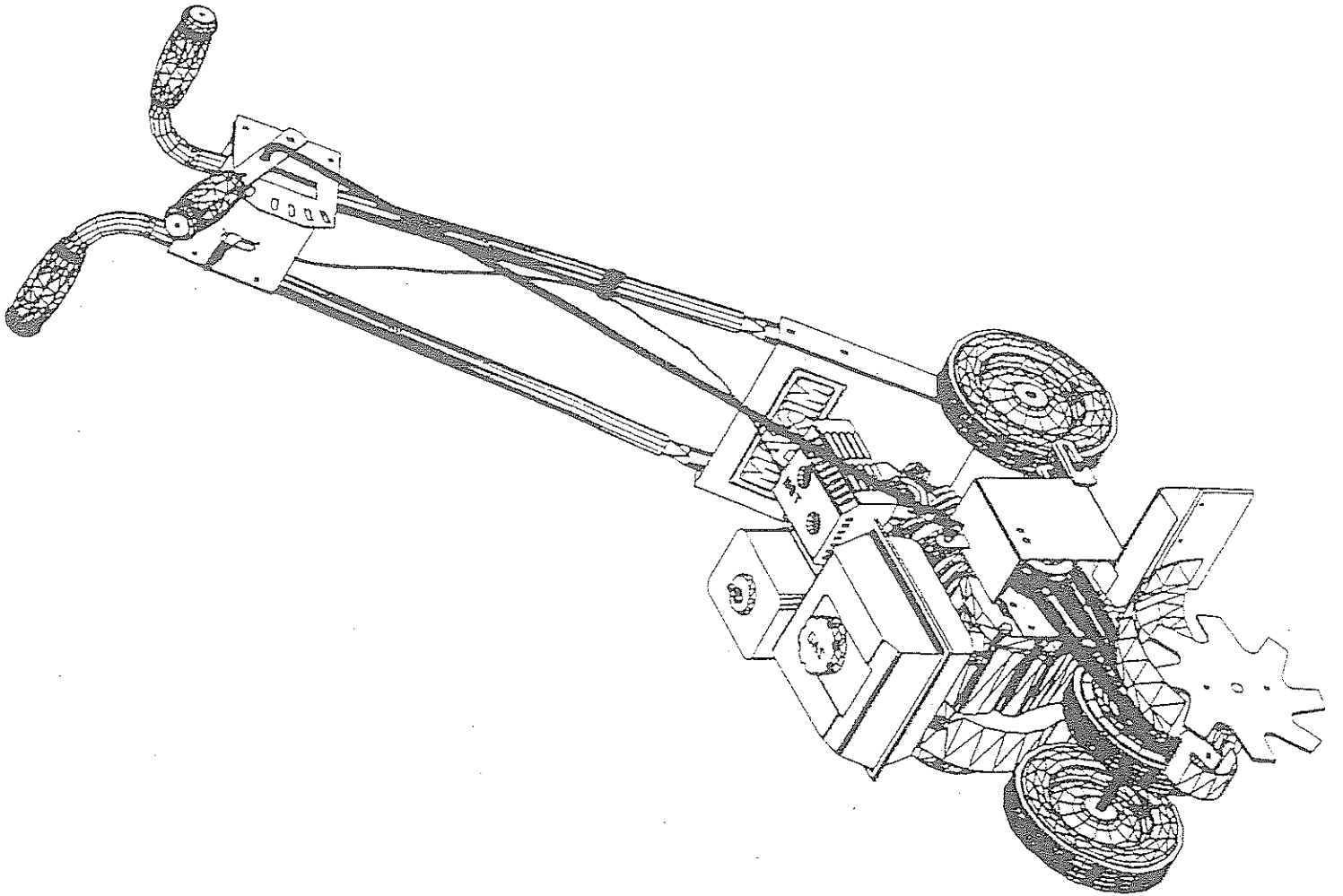
WARNING

IF INCORRECTLY USED THIS MACHINE CAN CAUSE SEVERE INJURY. THOSE WHO USE AND MAINTAIN THE MACHINE SHOULD BE TRAINED IN ITS PROPER USE, WARNED OF ITS DANGERS, AND SHOULD READ THE ENTIRE MANUAL BEFORE ATTEMPTING TO SET UP, OPERATE, ADJUST OR SERVICE THE MACHINE.

TRENCHER

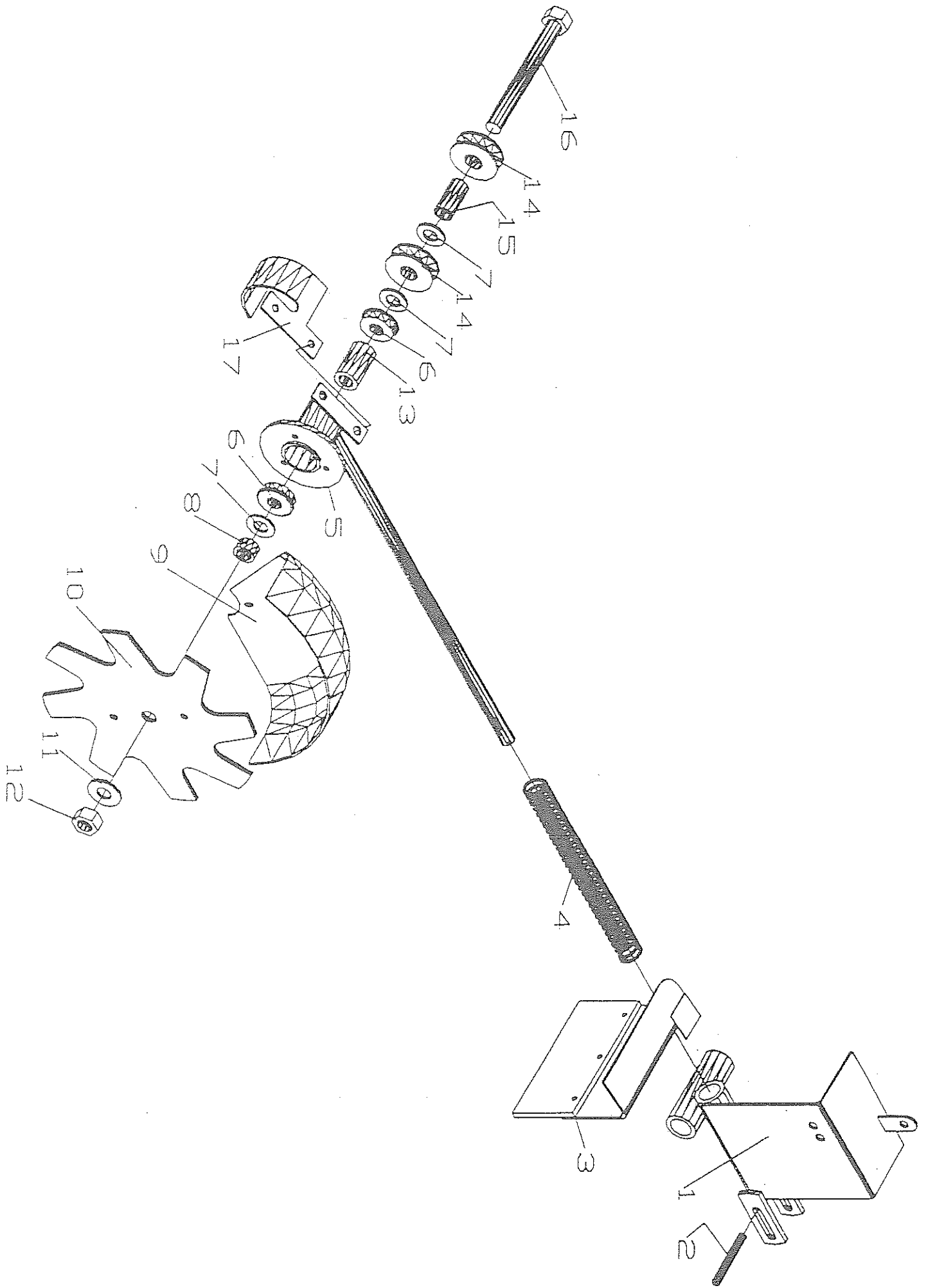
RME4HWT

RME4BWT



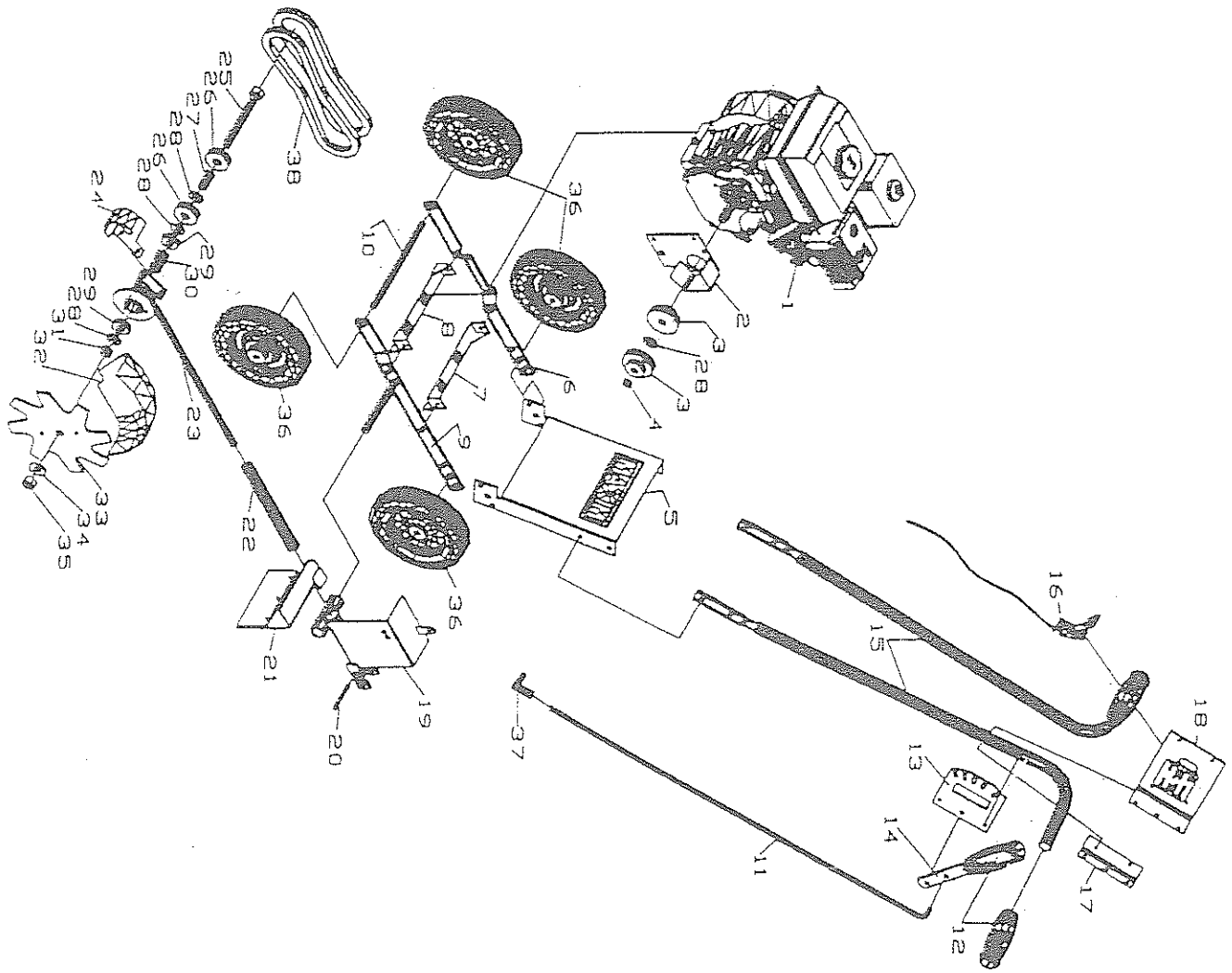
CUTTERHEAD ASSY.

1. 359651 BELT COVER
2. 461460 ROLLPIN, 5/16" X 2-1/2"
3. 359622 FLAP DEFLECTOR
4. 359616 COMPRESSION SPRING
5. 359644 SPINDLE SUPPORT
6. 359629 BEARING, 5/8"
7. 359627 WASHER, 1.2" X .63" X .12"
8. 359741 BUSHING, 1/2"
9. 359653 BLADE GUARD
10. 359648 BLADE
11. 455051 5/8" FLATWASHER, SAE
12. 443814 5/8" NF HEX NUT
13. 359628 SPACER BEARING, SHAFT
14. 336648 PULLEY 2, 3/4" SPINDLEHEAD
15. 140100 BUSHING, BRASS 3/4" X 5/8" X 1-1/2
16. 400295 CAPSCREW, 5/8" x 5-1/2" NF
17. 359647 BELT KEEPER, FOR SPINDLE



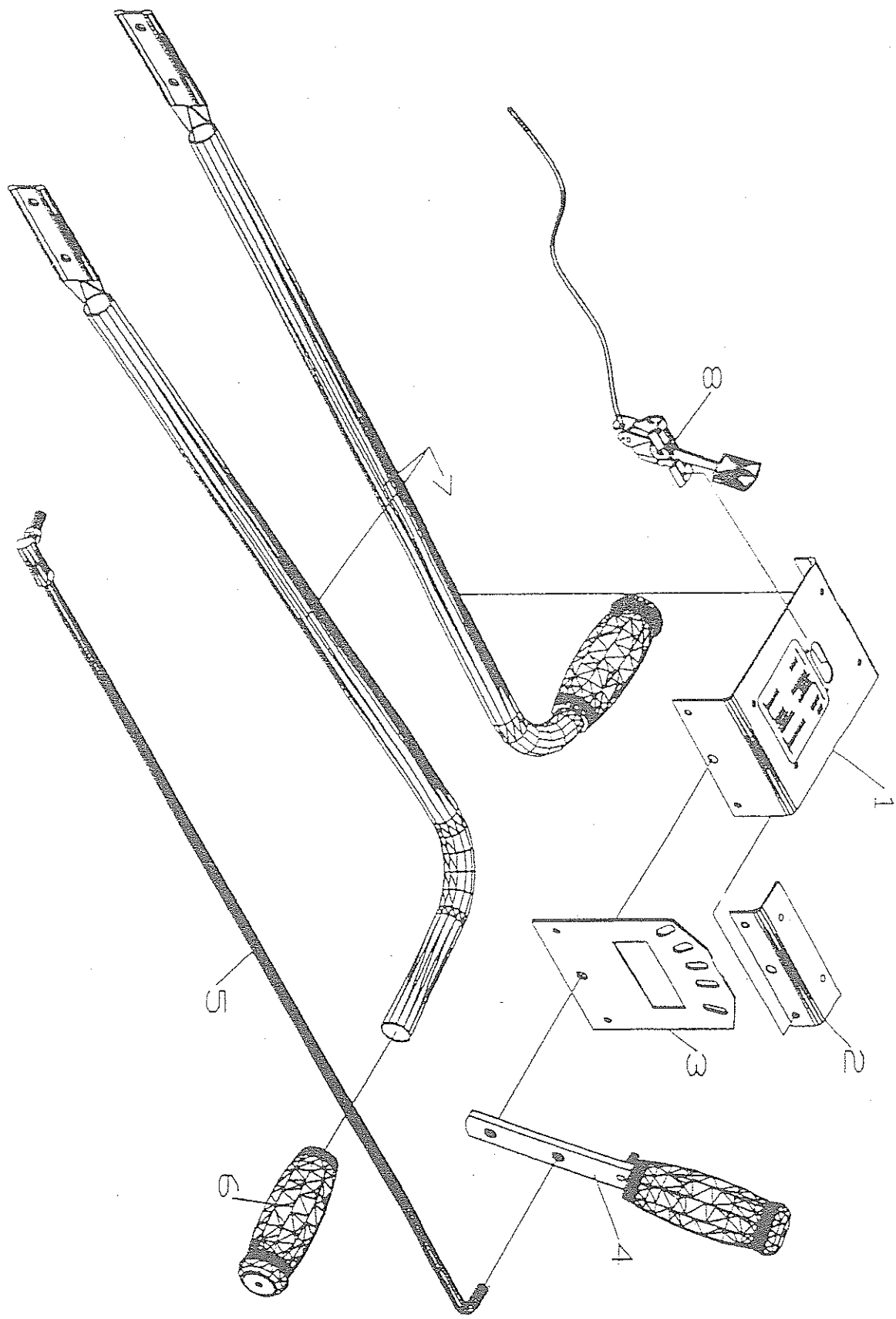
TRENC' TR PART #

1. 132139 HONDA 4HP ENGINE
2. 359652 BELT KEEPER FOR ENGINE
3. 271686 PULLEY 2, 3/4" C/SHAFT
4. 358143 MOTOR SHAFT EXTENSION
5. 359645 HANDLE PANEL, LOWER
6. 359736 RH RAIL CHASSIS HONDA MOTOR
- 359739 RH RAIL CHASSIS BRIGGS MOTOR
7. 359732 REAR MOTOR SUPPORT
8. 359731 FRONT MOTOR SUPPORT
9. 359738 LH RAIL CHASSIS BRIGGS & HONDA
10. 359633 FRONT AXLE
11. 359737 CONTROL ROD
12. 313785 HANDLE GRIP
13. 359637 INDEX PLATE BLADE CONTROL
14. 359626 LIFT LEVER
15. 359646 HANDLE BAR
16. 162056 THROTTLE CONTROL
17. 359635 BRACKET PANEL SUPPORT
18. 359636 HANDLE PLATE UPPER
19. 359651 BELT COVER
20. 461460 ROLL PIN 5/16" X 2-1/2"
21. 359622 FLAP DEFLECTOR
22. 359616 COMPRESSION SPRING
23. 359644 SPINDLE SUPPORT
24. 359647 BELT KEEPER, FOR SPINDLE
25. 400295 CAPSCREW 5/8" X 5-1/2" NF
26. 336648 PULLEY 2, 3/4" SPINDLEHEAD
27. 140100 BUSHING, BRASS 3/4" X 5/8" X 1-1/2"
28. 359627 WASHER, 1.2 X .63 X .12
29. 359629 BEARING, 5/8"
30. 359628 SPACER BEARING, SHAFT
31. 359741 BUSHING, 1/2"
32. 359653 BLADE GUARD
33. 359648 BLADE
34. 455051 5/8" FLATWASHER, SAE
35. 443814 5/8" NF HEX NUT
36. 130726 WHEEL, 8" X 1.75"
37. 461463 BALL JOINT, 3/8"
38. 272240 BELT, "V" L432



HANDLEBAR ASSY.

1. 359636 HANDLE PLATE, UPPER
2. 359635 BRACKET PANEL, SUPPORT
3. 359637 INDEX PLATE, BLADE CONTROL
4. 359626 LIFT LEVER
5. 359737 CONTROL ROD
6. 313785 HANDLE GRIP
7. 359646 HANDLEBARS
8. 162056 THROTTLE CONTROL



ASSEMBLY INSTRUCTIONS

Remove unit and loose parts from carton.

Note: Handle bar with decal goes on the right hand side. Assemble both handle bars to the rear of the chassis using four bolts, lockwashers, and nuts. Do not tighten nuts until handle panel has been assembled.

3. Assemble the handle panel to the front side of the handle bars using four bolts, lockwashers, and nuts. Tighten handle panel nuts, then tighten nuts that secure handle bars to chassis.

4. Assemble the .375-24 nut to the threaded end of the blade control rod and run it up to the end of the threads. Assemble the rod into the end on the side of the belt cover beside the engine. Screw the rod into the rod end approximately one half inch. With the blade control lever in the "DISENGAGED" position, assemble the upper end of the control rod through the hole and secure with a cotter pin.

5. Assure that the blade engage lever works properly, and that the bolt is slack when the lever is in the "DISENGAGED" position.

6. Rotate the debris guard down to the operating position.

7. Fill the engine crankcase with a high grade of oil. See the engine instruction sheet provided.

8. Fill the gasoline tank using clean, fresh, lead-free gasoline. Do not overfill the tank. Leave approximately one quarter of an inch of tank space for expansion. See the engine instruction sheet provided.

OPERATING INSTRUCTIONS

1. To start engine, be sure the blade control lever is in the "DISENGAGE" position. Move the throttle control to "FAST". Close choke located on top of the gas tank.

2. Support edger by holding handle bar with left hand while pulling starter cord with the right hand.

3. When engine starts, move to the operating position and adjust the throttle control to the desired engine speed.

4. When edging the depth of cut is set with the blade control lever. Do not set depth lever than required. When edging an area for the first time, it may be desirable to set the depth lower to establish a trench for the blade for future edgings. Always return the blade control lever to the "DISENGAGE" position before stopping the unit.

5. The blade may be turned slightly to the right or left in order to cut close to a fence or other border. To do this, shut off engine, pull back on index lever, and rotate in the desired direction. Release the index lever being sure it locks in the notch provided.

6. To use the unit as a trimmer, the following changes are necessary. With the engine shut off, remove the hair pin from the front axle just to the inside of the left wheel. Move the wheel to the extreme right and secure it with the hair pin.

7. Pull back on the index bar and rotate it to the horizontal position. Release the index bar being sure it locks in the notch provided.

8. After starting the engine, lower the blade to the desired cutting position. Use extreme caution when pushing the blade toward objects that are not intended to be cut.

CARE AND STORAGE

Remove spark plug wire before performing any maintenance or cleaning of the unit.

1. Always keep excess dirt, oil, and trash cleaned from the unit.

2. Check the engine oil each time the gas tank is filled. See the engine operating instructions provided for further engine care and maintenance.

3. If the unit is to be stored, remove all gas from the tank. Run the engine until it stops from lack of fuel. Any fuel that remains in the tank should be absorbed with a clean, dry cloth.

4. Place a few drops of oil on the axle at each wheel and spin the wheel to distribute. Place the blade control lever in the lowest position. Put a few drops of oil on the spindle support shaft (Ref. No. 51 in the parts list), just ahead of the index bar. Put a few drops of oil on the pivot bolt (Ref. No. 53 in the parts list), at each end of the belt cover tube. Work the blade head up and down to distribute oil. Place the blade control bar in the "DISENGAGE" position.

CAUTION: NEVER STORE UNIT IN A CLOSED BUILDING WHERE AN OPEN FLAME OR SPARK COULD IGNITE THE GAS FUMES REMAINING IN THE TANK.

The logo for MAXIM, featuring the word "MAXIM" in a bold, stylized, blocky font with a double outline, set within a rectangular border.

Equipment that
WORKS and LASTS!

HOW TO ORDER PARTS:

CONTACT YOUR NEAREST MAXIM DISTRIBUTOR OR DEALER OR CALL
(601) 625-7471 OR FAX (601) 625-8227. 4